

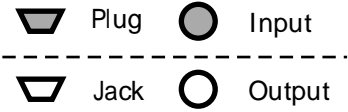
# Channel list for CLIO digital : 1<sup>st</sup> trial

---

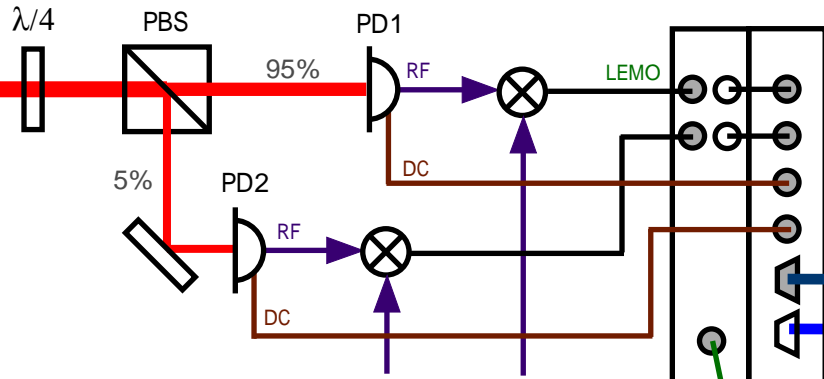
ADC 16,384 Hz	7	DAC 16,384 Hz	8	Binary I/O	
MC RFL (DC)	1	MC_F: 4 coils	4	LSC	2
MC Trans	1	LSC: 4 coils	4	Freq. Stab.	4
MC_F	1			MC	4
LSC (DC, RF) x2	4				
ADC 2,048 Hz	0				
ADC 256 Hz	4				
Laser power	1				
Seismic	1				
Acoustic	1				
Temp.	1				

# Mass Lock Loop Connection Diagram

Dsub9



Perpendicular Arm Cavity Detection Port



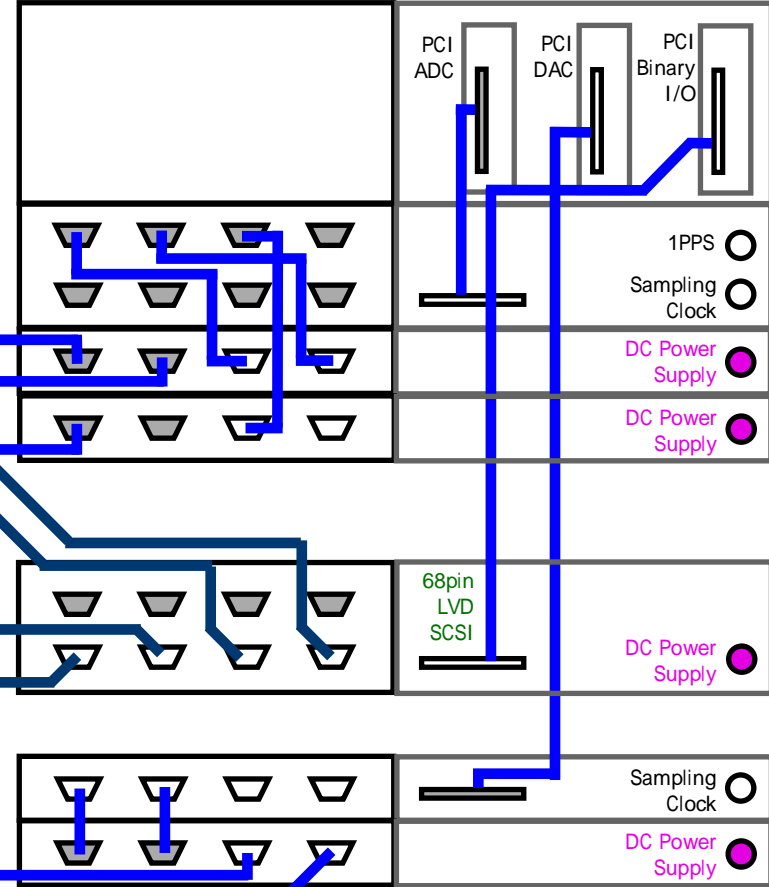
NIM

19 inch rack case

Front Panel

Rear Panel

PCI-X Expansion Chassis



Laser Power  
Seismic  
Acoustic  
Temp.

MC REFL  
MC Trans  
MC\_F

MC servo switch

Inline servo switch

Differential output driver

Logic Output Module

MC End

Perpend. Near

Coil Driver De-whitening

Coil Driver De-whitening

8 bit  
VGA control

Differential  
4 signals  
Drive  
Dsub9

Whitening  
VGA

LEMO

LEMO

LEMO

NIM module	Qty		19 inch rack case	Qty
Whitening for LSC	1		AA-ADC interface	1
Variable Gain Amp.	1		DAC-AI interface	1
Logic Output Module	1	+2	AA/AI Filter	3
Differential output driver	0	+2	Binary I/O interface	1
De-whitening for LSC	1			
De-whitening for MC end		+1		

## Cable

DSUB オスメス ストレート結線