

# Channel list for CLIO digital: 1<sup>st</sup> trial

---

**ADC 16,384 Hz**      **7**  
 MC RFL (DC)      1  
 MC Trans      1  
 MC\_F      1

LSC (DC, RF) x2      4

**ADC 2,048 Hz**      **0**

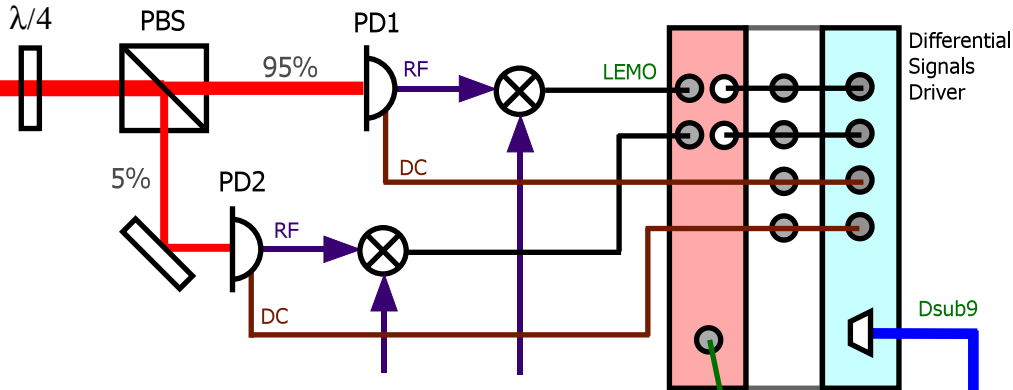
**ADC 256 Hz**      **4**  
 Laser power      1  
 Seismic      1  
 Acoustic      1  
 Temp.      1

**DAC 16,384 Hz**      **8**  
 MC\_F: 4 coils      4  
 LSC: 4 coils      4

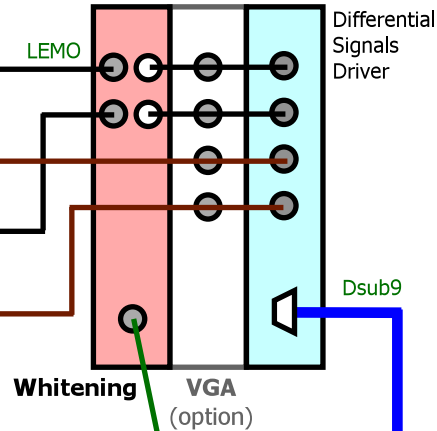
**Binary I/O**  
 LSC      2  
 Freq. Stab.      4  
 MC      4

# Mass Lock Loop Connection Diagram

## Perpendicular Arm Cavity Detection Port



## NIM



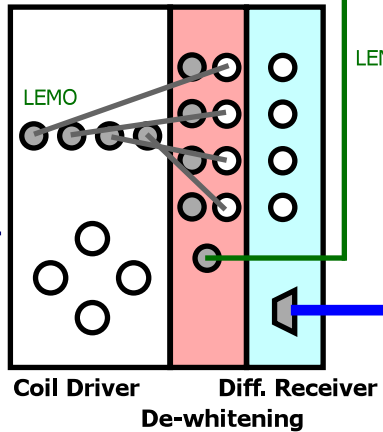
Whitening  
VGA  
(option)

Differential  
Signal  
Transfer

Logic  
Output  
Module

Differential  
Signal  
Transfer

Perpend.  
Near



Coil Driver  
Diff. Receiver  
De-whitening

Dsub9



基板側オス



基板側メス

## 19 inch rack case

Front Panel

Rear Panel

Computer

PCI-X Expansion Chassis

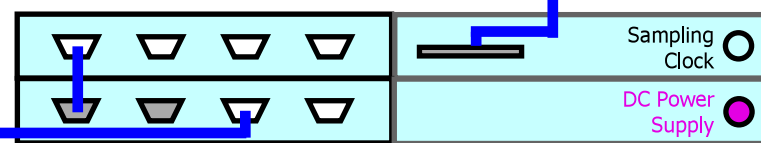
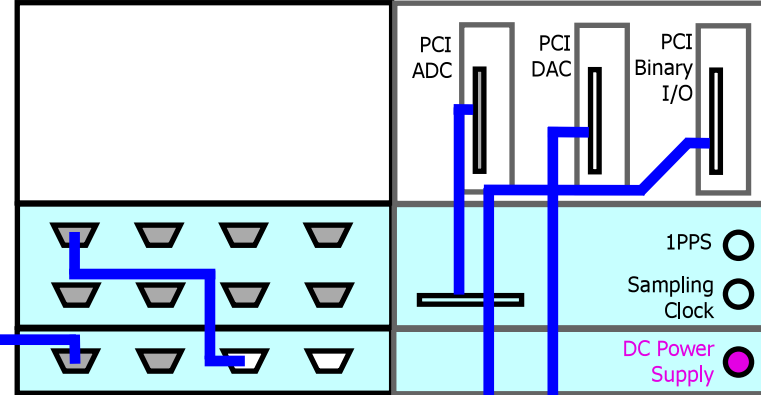
AA-ADC interface

Anti-Alias Filter

Binary Output interface

DAC-AI interface

Anti-Imaging Filter



<b>NIM module</b>	<b>Qty</b>	
Whitening for LSC	1	
Variable Gain Amp.	1	
Logic Output Module	1	+2
Differential output driver	0	+2
De-whitening for LSC	1	
De-whitening for MC end		+1

<b>19 inch rack case</b>	<b>Qty</b>
AA-ADC interface	1
DAC-AI interface	1
AA/AI Filter	3
Binary I/O interface	1

### **Cable**

DSUB オスメス ストレート結線