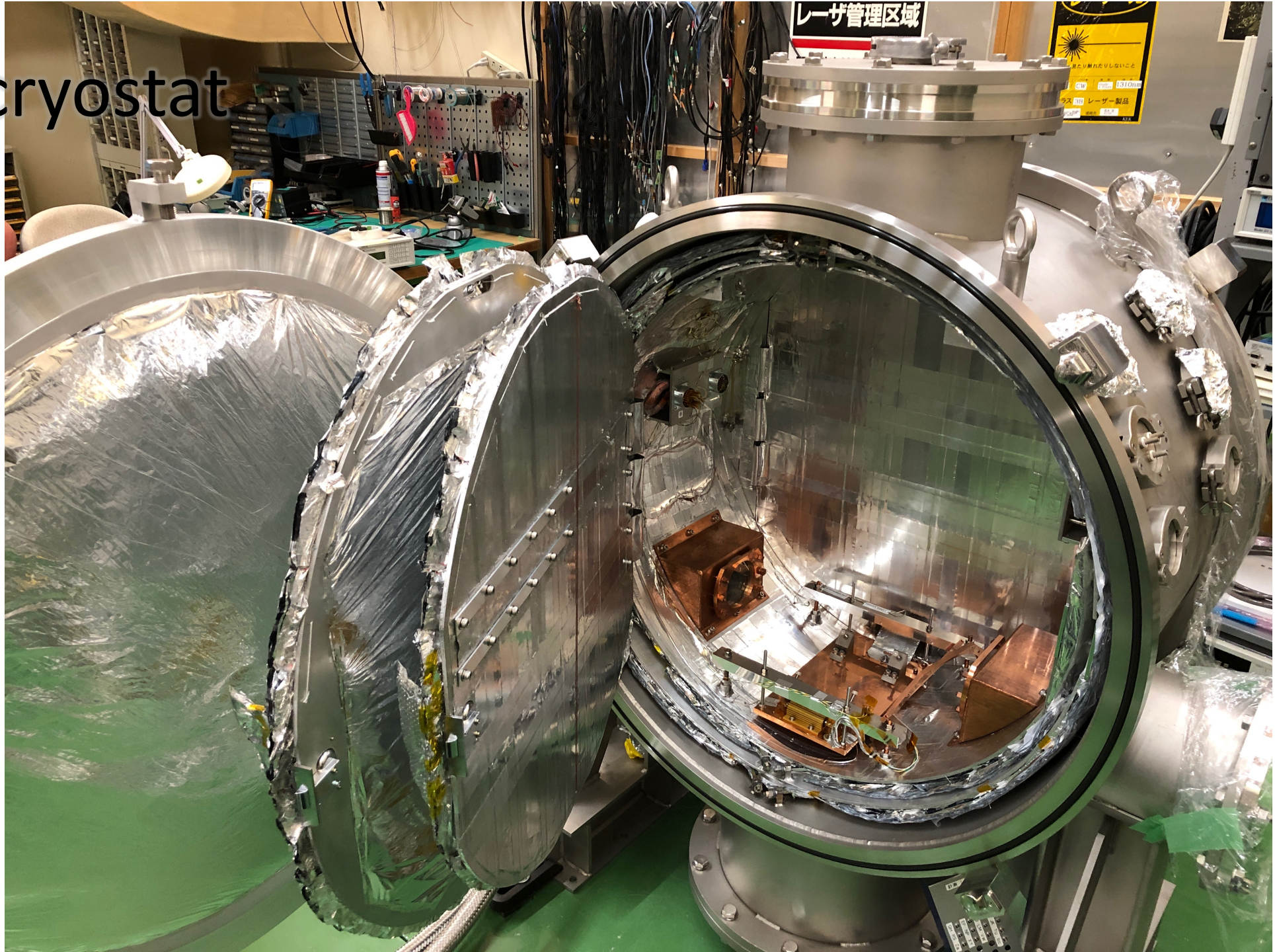
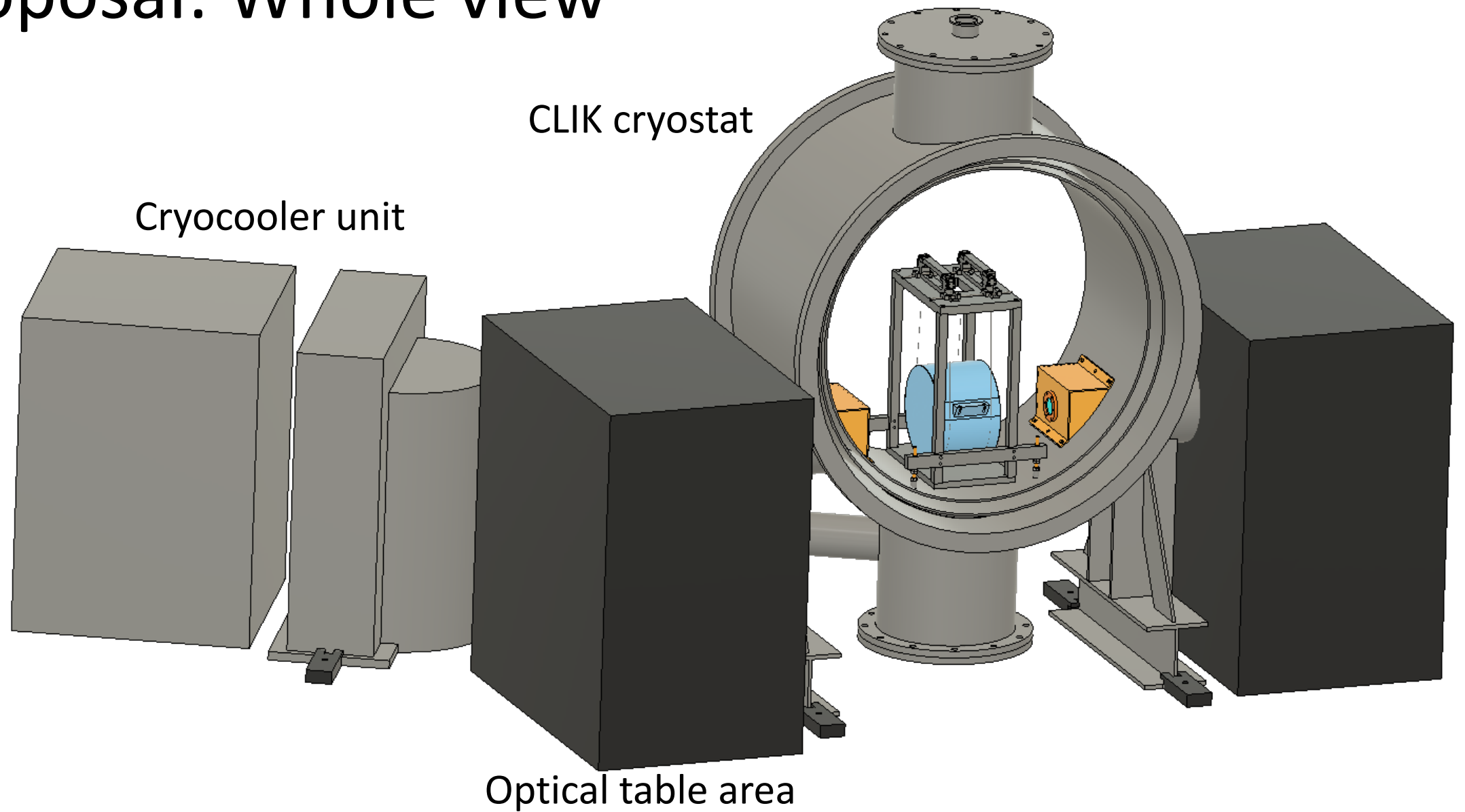


CLIK cryostat

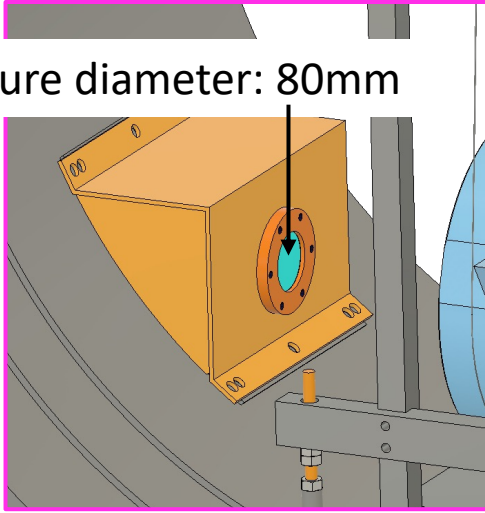


Proposal: Whole view



Proposal: Height

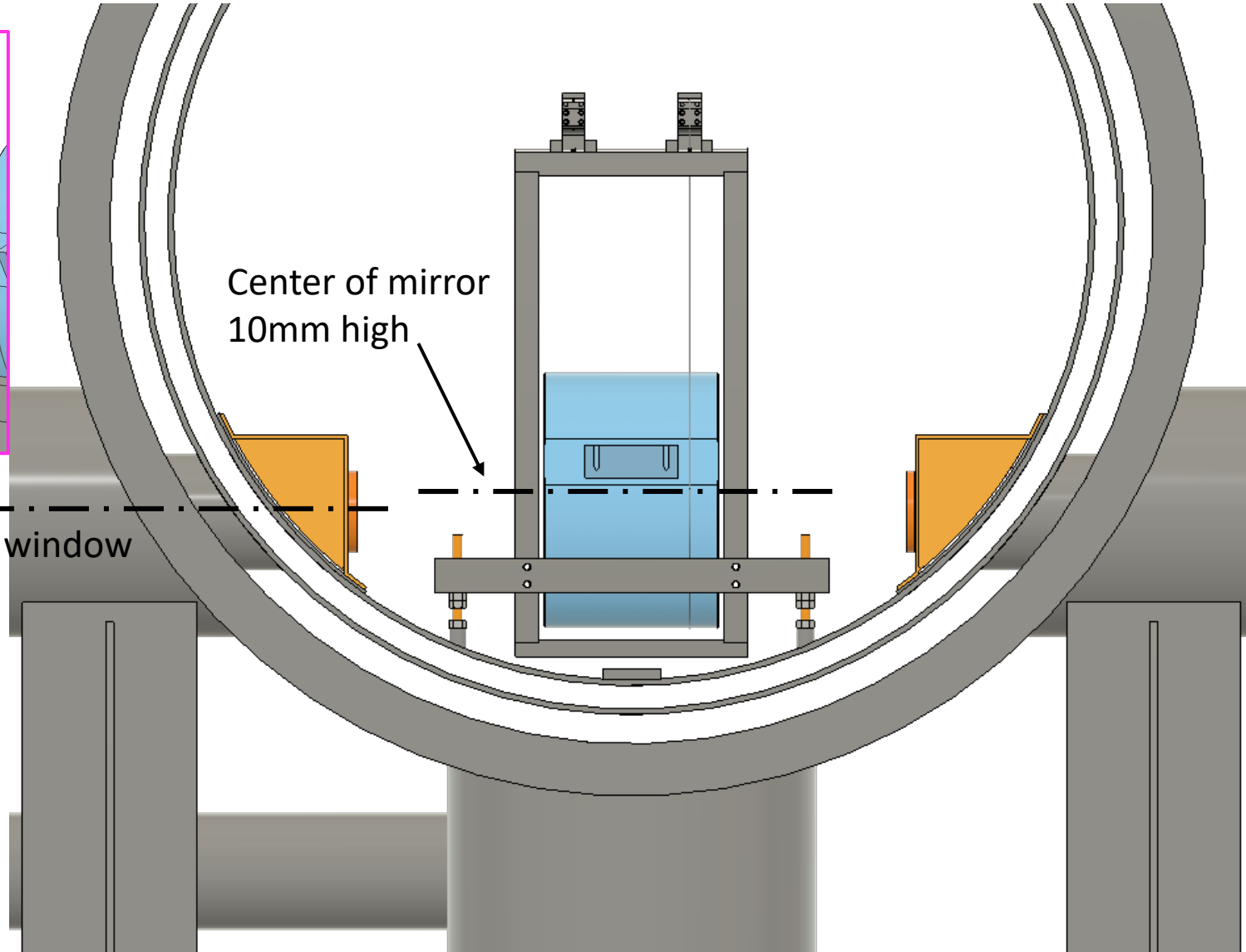
Aperture diameter: 80mm



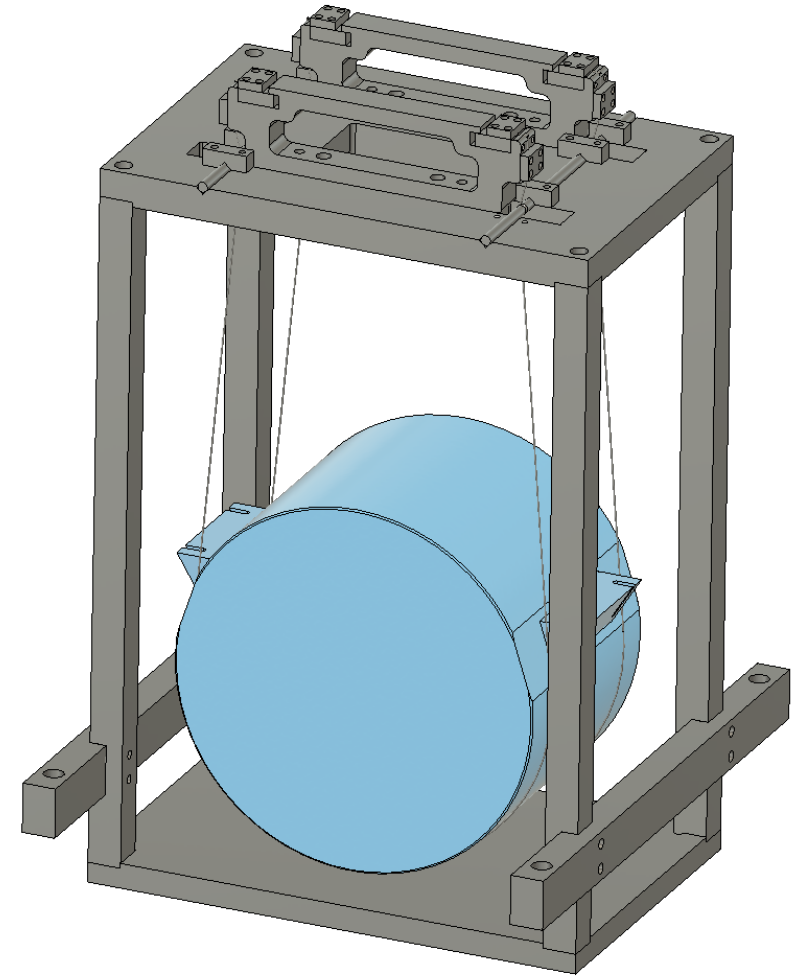
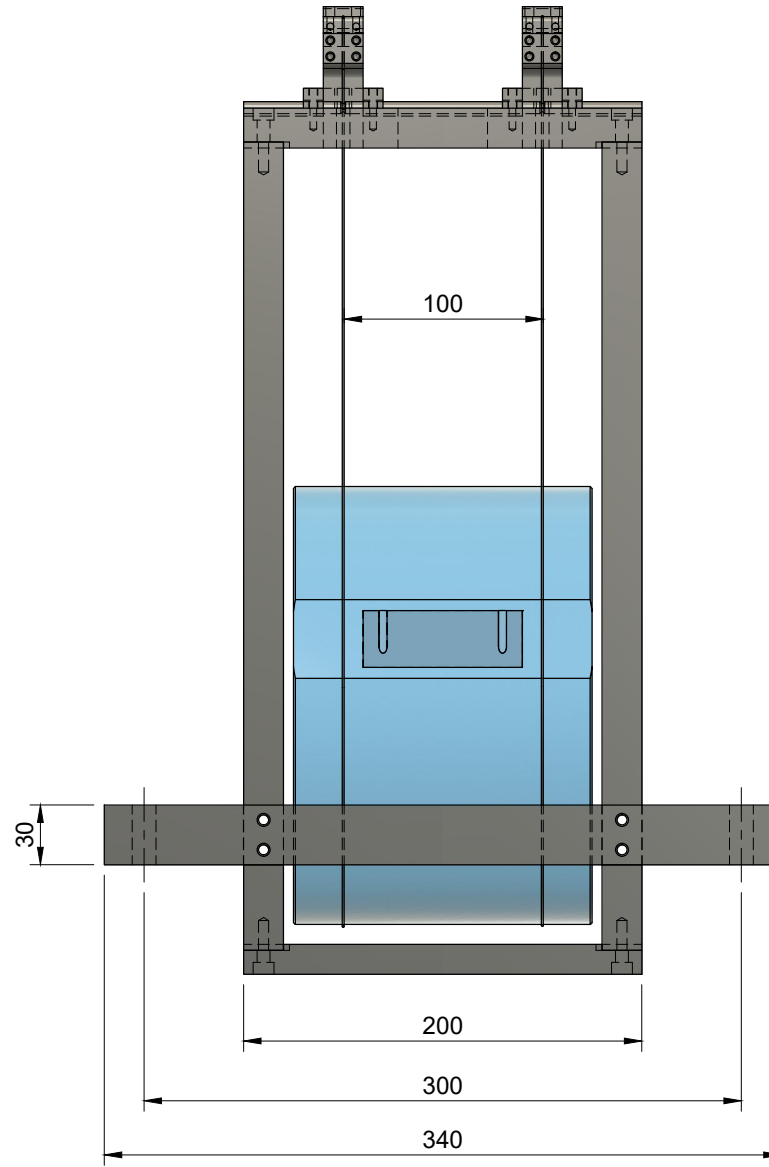
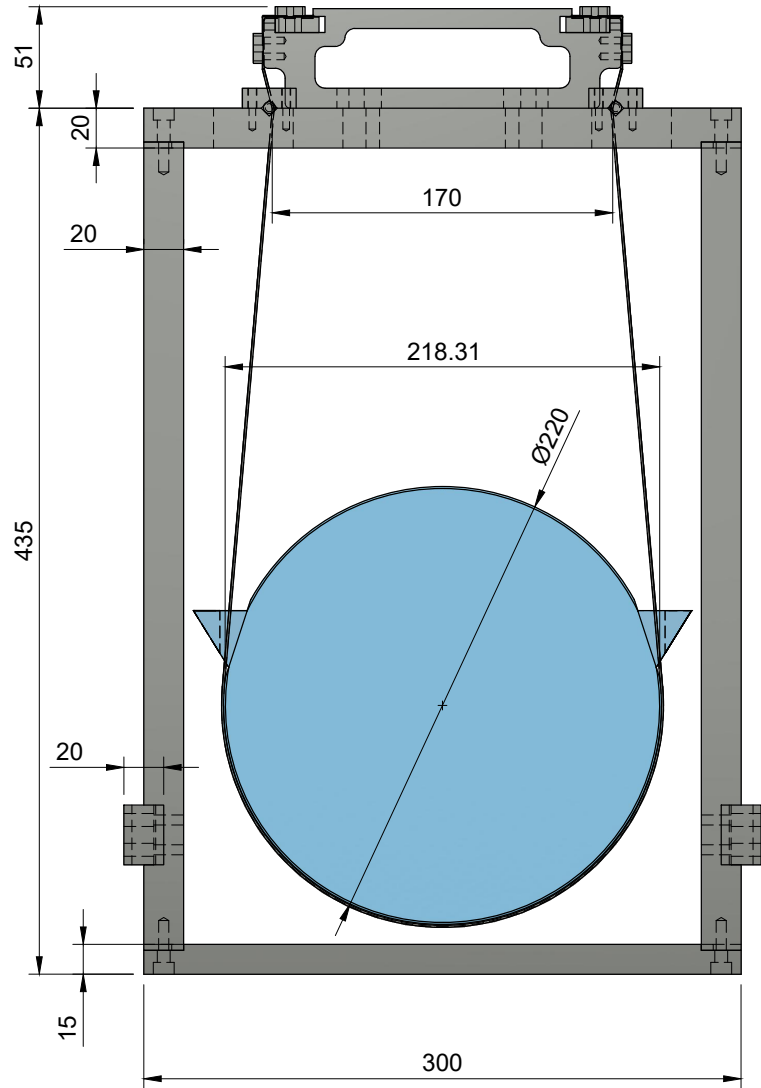
Center of optical window

Center of mirror
10mm high

Vacuum view port: ICF152

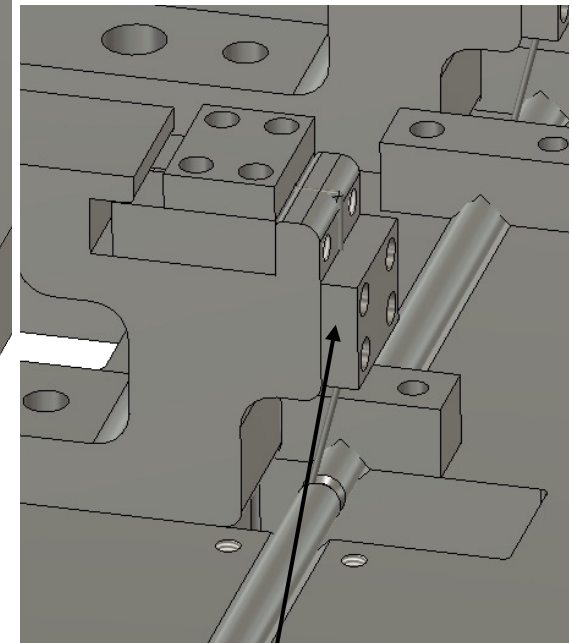
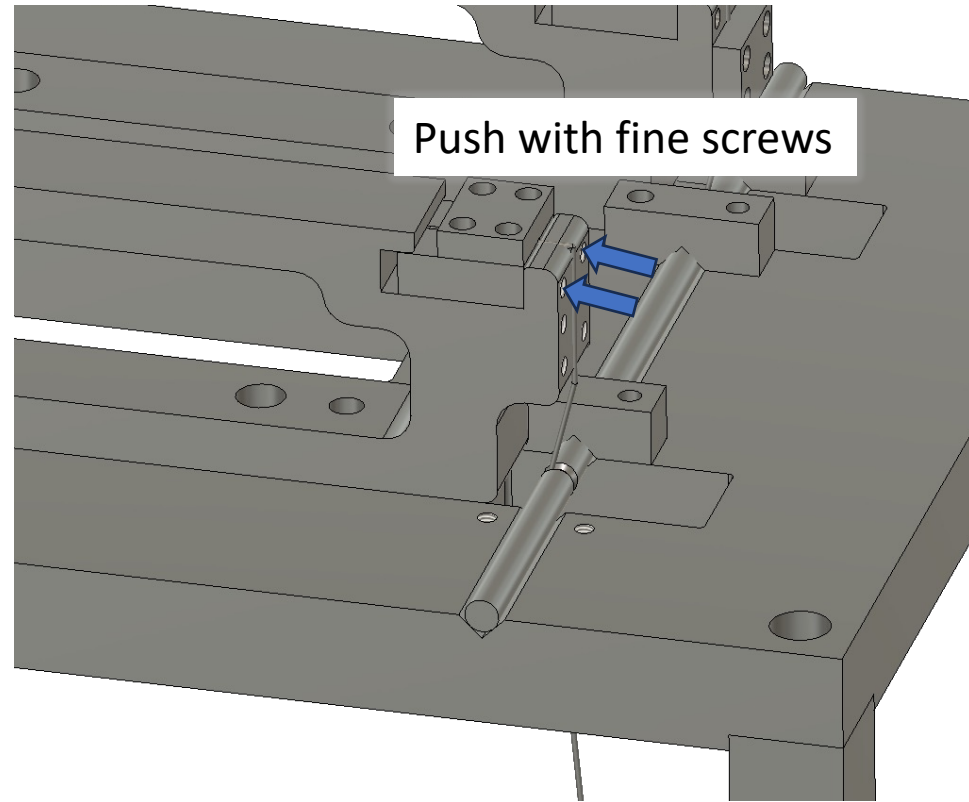
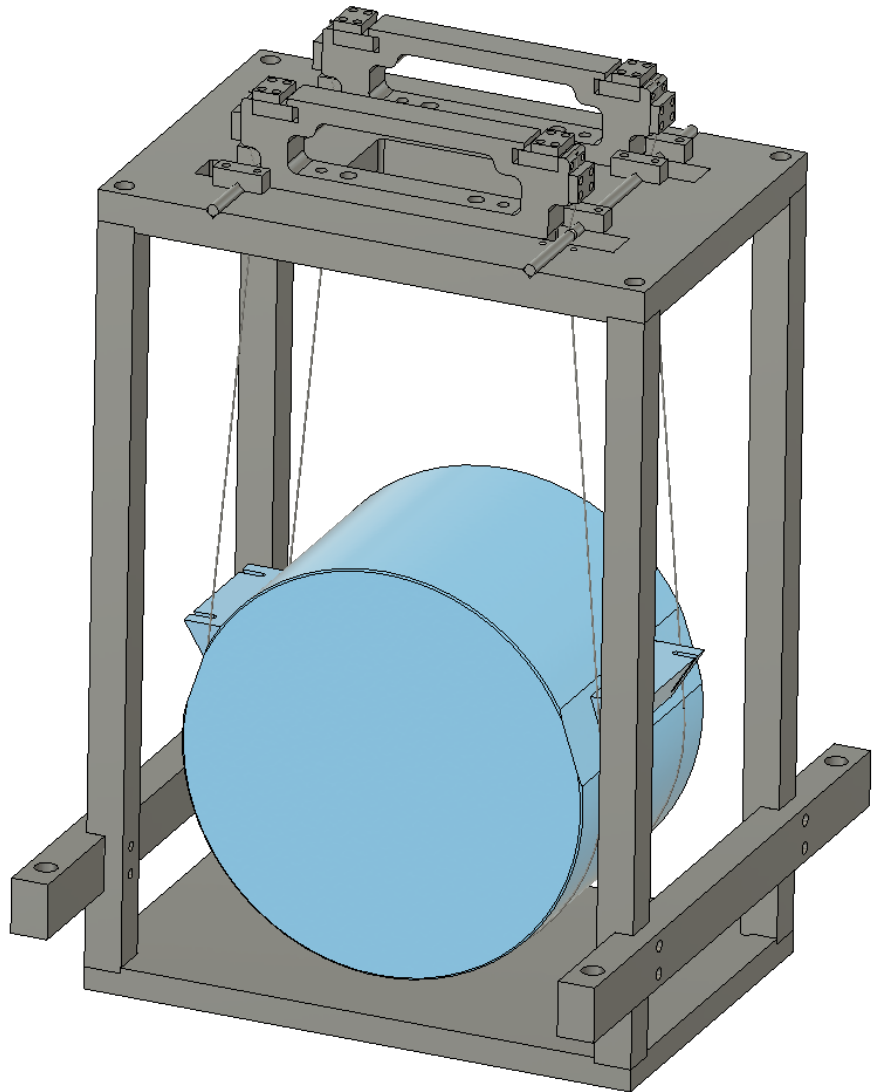


Proposal: Suspension



Wire: Tungsten
 ϕ 0.4 or 0.5mm

Proposal: Wire tension



Question and others

- How much distance is necessary between the mirror and an electrode?
- Should the HCB box be used to handle the mirror?
- How much budget can we use? 1 million yen? 2 million yen? -> Miyoki-san

Items to be considered:

- Earthquake stoppers and fixing structures
- Attachment and adjustment of the electrode
- Installation way into the cryostat