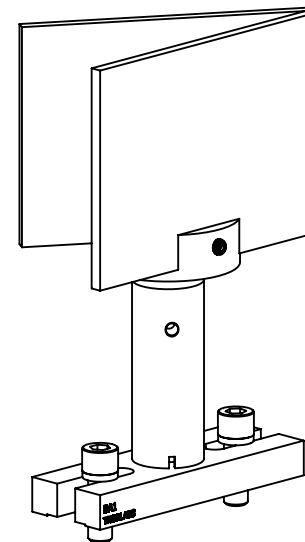
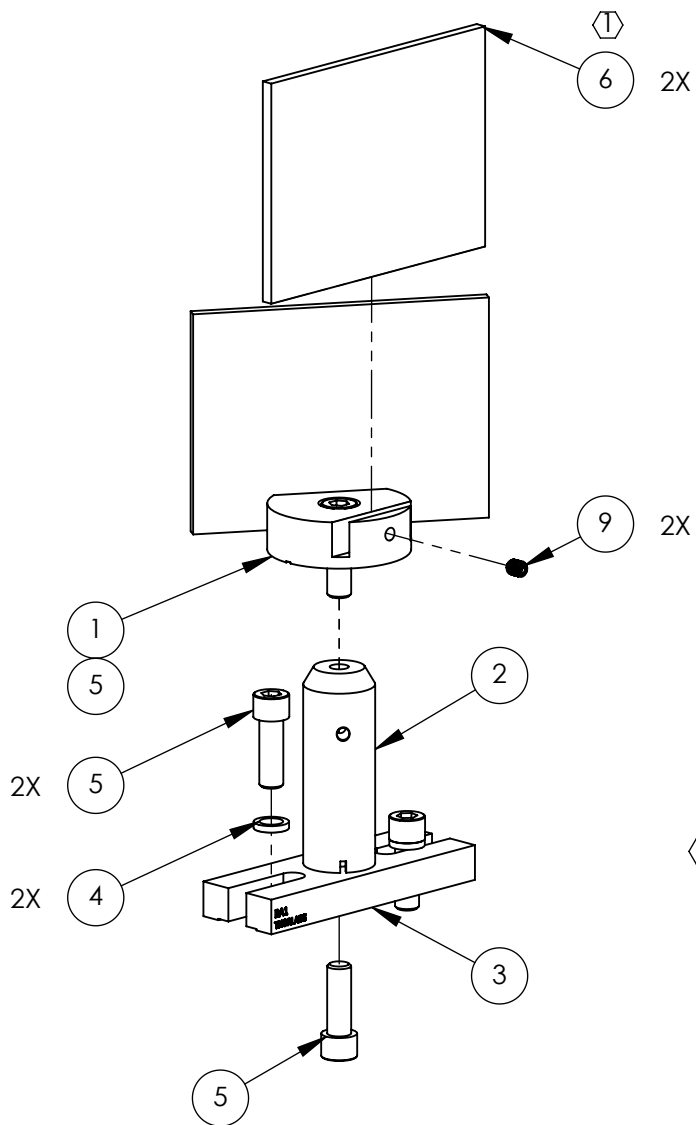


Ⓛ INDICATED ITEMS MAY BE USED INTERCHANGEABLY AT THE INSTALLERS DISCRETION

REV.	DATE	DCN #	DRAWING TREE #
v1	13 JUL 2018	E1800214-x0	-
-	-	-	-
-	-	-	-



ISO VIEW

ISO VIEW, EXPLODED

ITEM NO.	PART NUMBER	DESCRIPTION	MATERIAL	QTY..
9	D1100705	ALIGO IO PEEK SET SCREW #8-32 X 3/16	PEEK	2
8	D1700516	SIC BEAM DUMP KIT	SIC	A/R
7	D1800188-02	αLIGO, AOS, SLIC, BEAM DUMP (SiC), 2.38 X 3.80X.125	SiC	A/R
6	D1800188-01	αLIGO, AOS, SLIC, BEAM DUMP (SiC), 2.38 X 3.15X.125	SiC	2
5	MCMMASTER_92196A540 or Equivalent	SHCS, 1/4"-20x0.75" (Fully Threaded)	18-8 SSTL	4
4		1/4" HIGH COLLAR LOCK WASHER, 18-8 SST	18-8 SSTL	2
3	D1002059	ISC MOUNTING BASE - DOUBLE	6061-T6 Al	1
2	D1000968	ISC Tall Mounting Post	6061-T6 Al	1
1	D1000972	TRANSMON BEAM DUMP INTERFACE - SMALL	6061-T6 Al	1

NOTES AND TOLERANCES: (UNLESS OTHERWISE SPECIFIED)

MATERIAL	AS NOTED	FINISH	N/A μinch
----------	----------	--------	-----------

LIGO CALIFORNIA INSTITUTE OF TECHNOLOGY
 MASSACHUSETTS INSTITUTE OF TECHNOLOGY

SYSTEM: **ADVANCED LIGO** SUB-SYSTEM: **ISC**

NEXT ASSY: **MULTIPL**

PART NAME: **ISC, BEAM DUMP-SMALL (SiC)**

DESIGNER	E.SANCHEZ	13 JUL 2018	SIZE	DWG. NO.	REV.
DRAFTER	E.SANCHEZ	13 JUL 2018	A	D1800200	v1
CHECKER	SEE DCC	SEE DCC	SCALE: 1:2	PROJECTION:	SHEET 1 OF 1
APPROVAL	SEE DCC	SEE DCC			