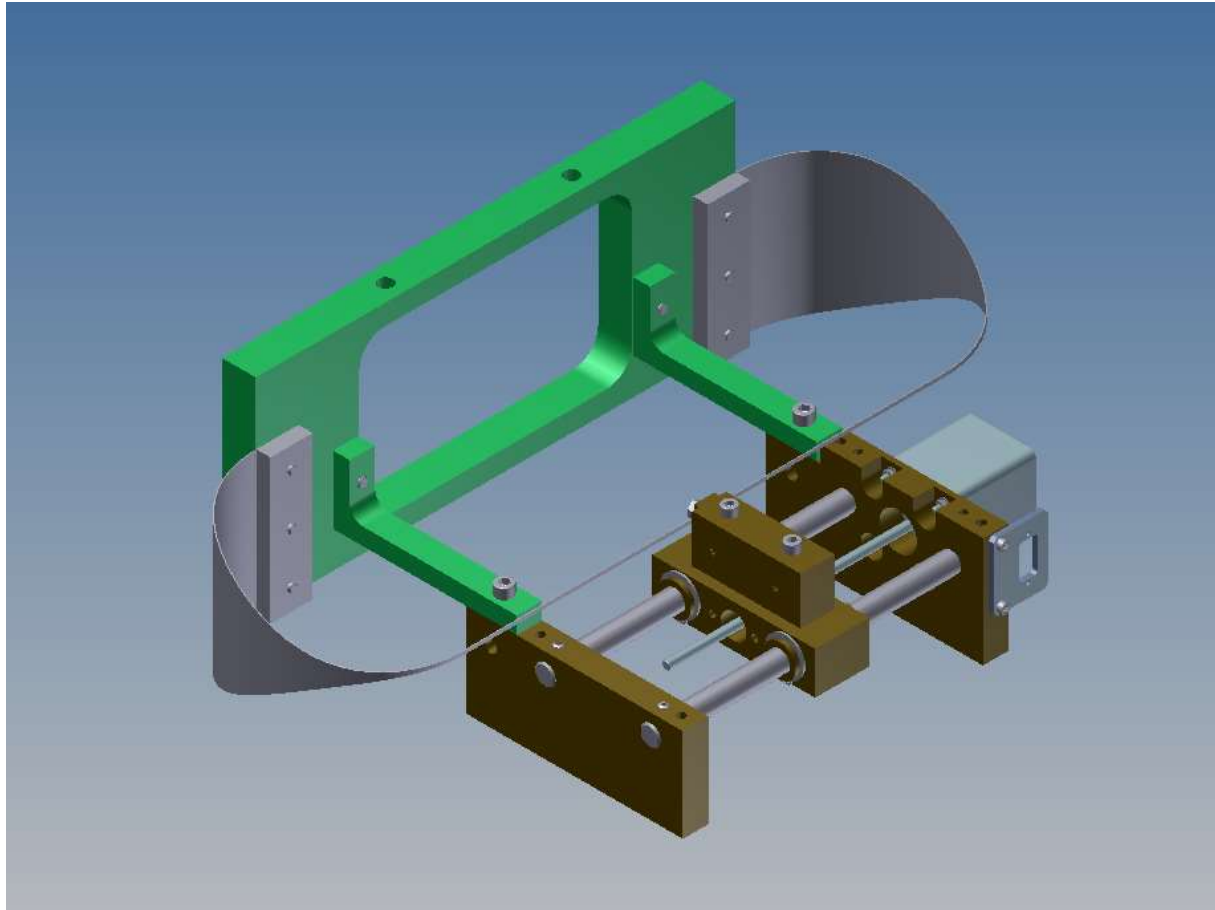


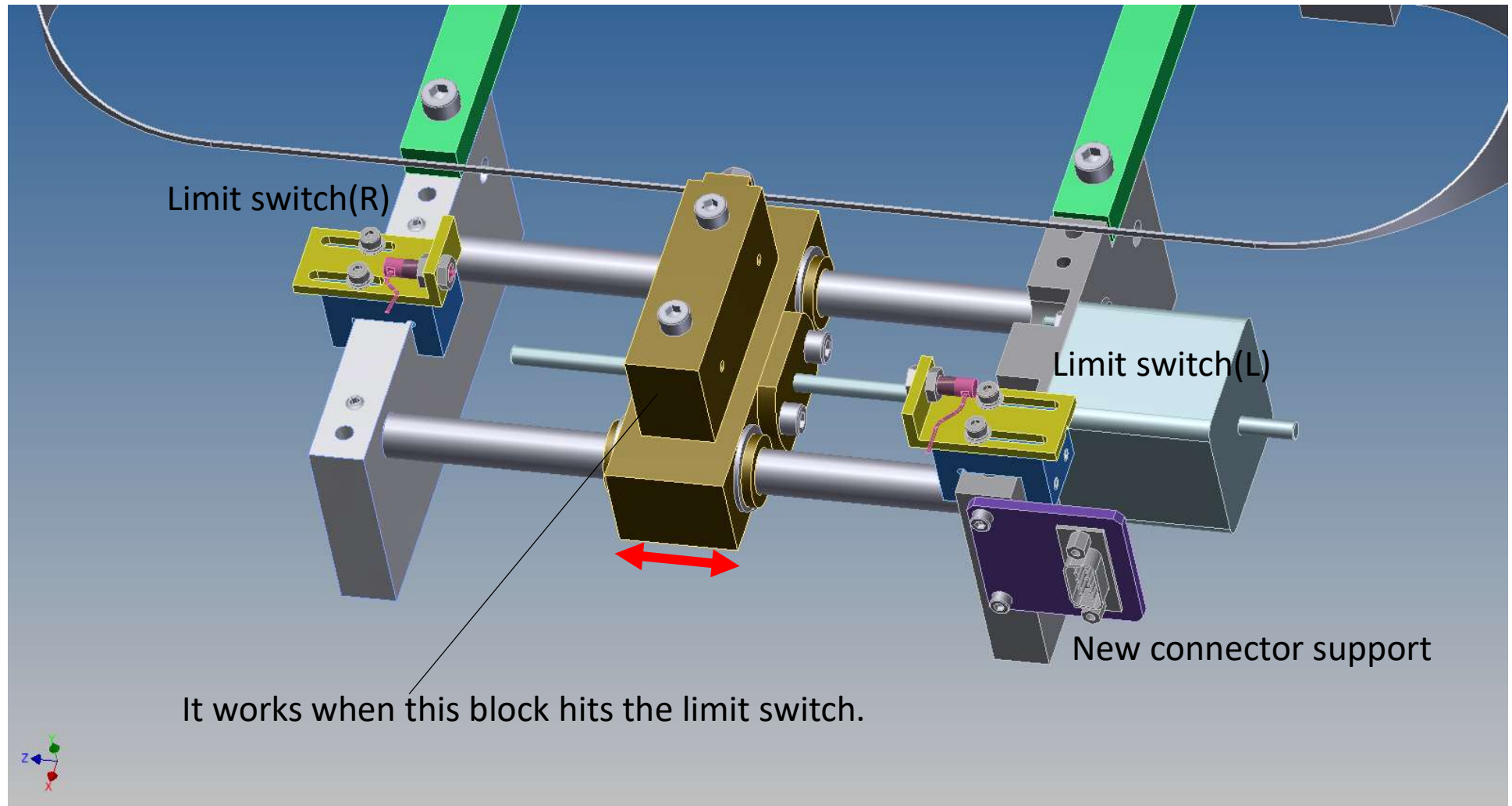
Attaching a limit switch to BS IP fishing rods



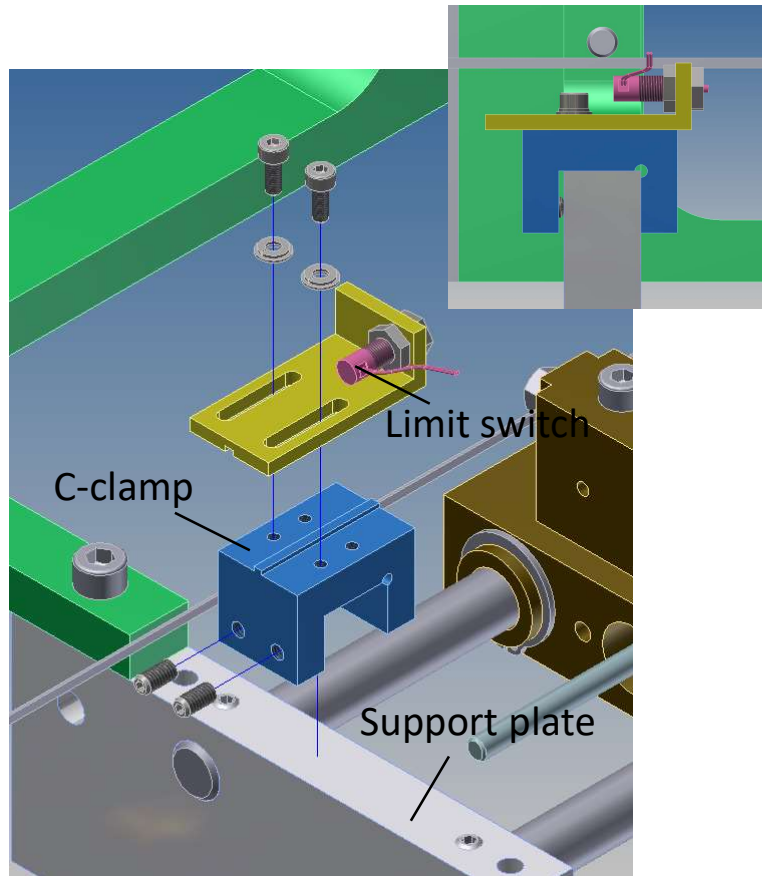
Introduction

- BS,IPの水平フィッシングロッドは他と異なる設計です。リミットスイッチが取り付けられていません。
 - このフィッシングロッドに新しくリミットスイッチを取り付けます。
 - この取付作業は、フィッシングロッドブレードが洗浄のために取り外されている時に行います。
-
- The BS IP horizontal fishing rods are designed differently from the others. They have no limit switch.
 - New limit switches will be installed on these fishing rods.
 - This installation will be done when the fishing rod blades are removed for cleaning.

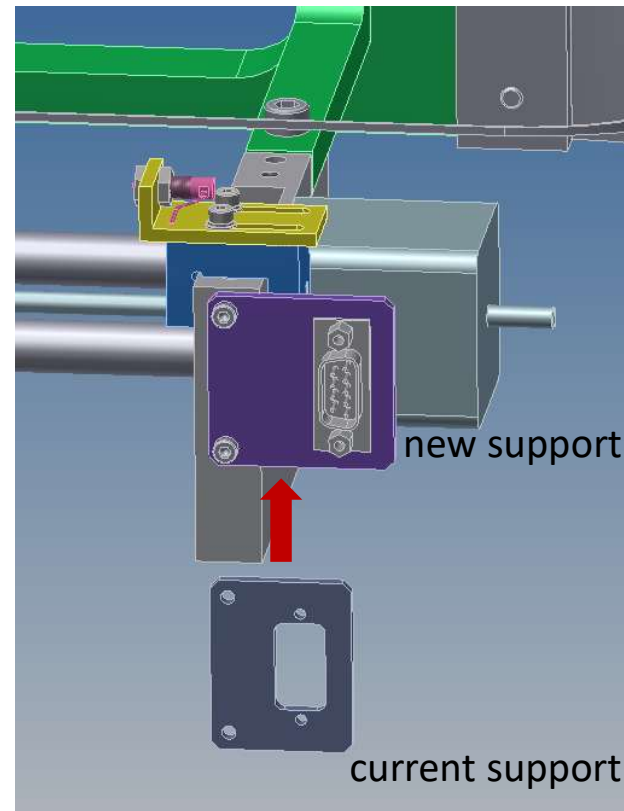
Design of Limit switches on BS IP fishing rod



New parts



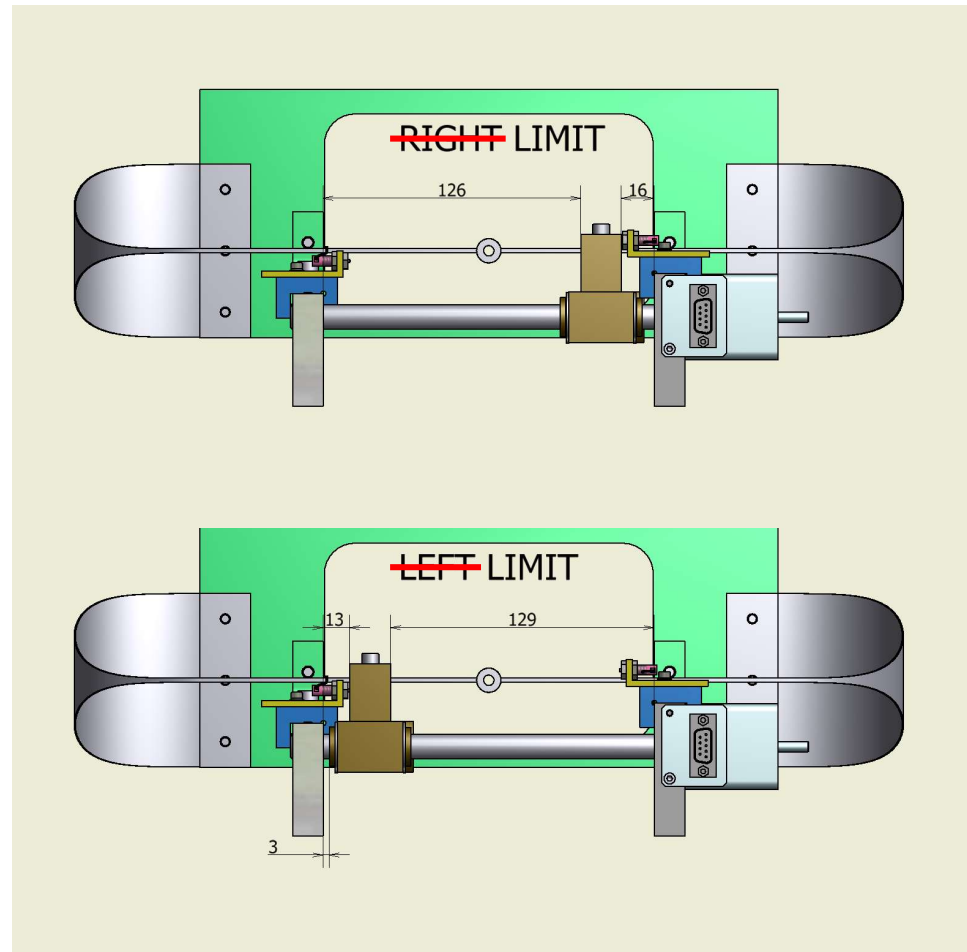
Limit switch unit (One on each side.)



Connector support replacement

To avoid interference with the C-clamp

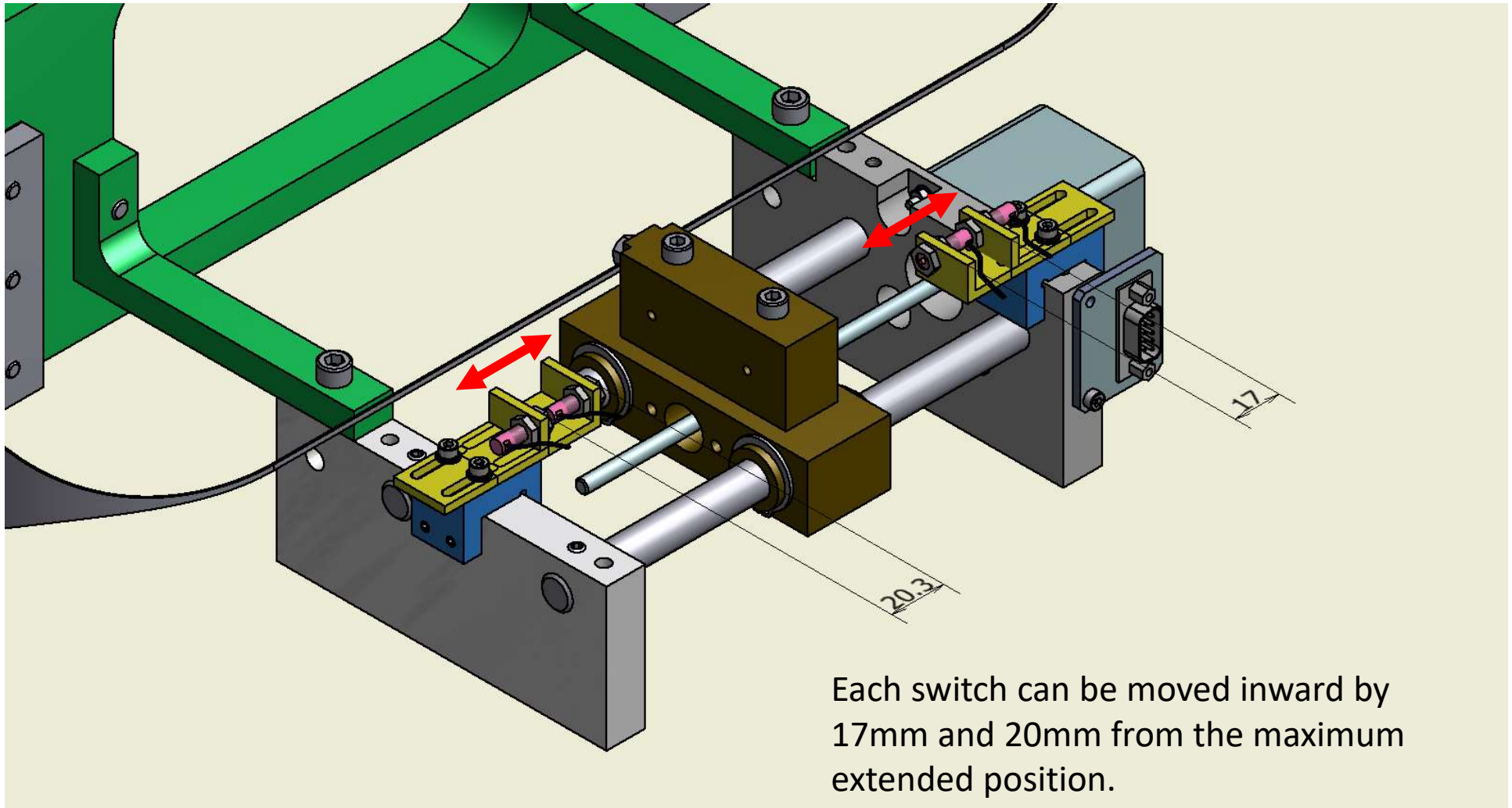
Slider range of motion



Range of motion is 113mm(max).
(116 mm before the limit switch is installed)

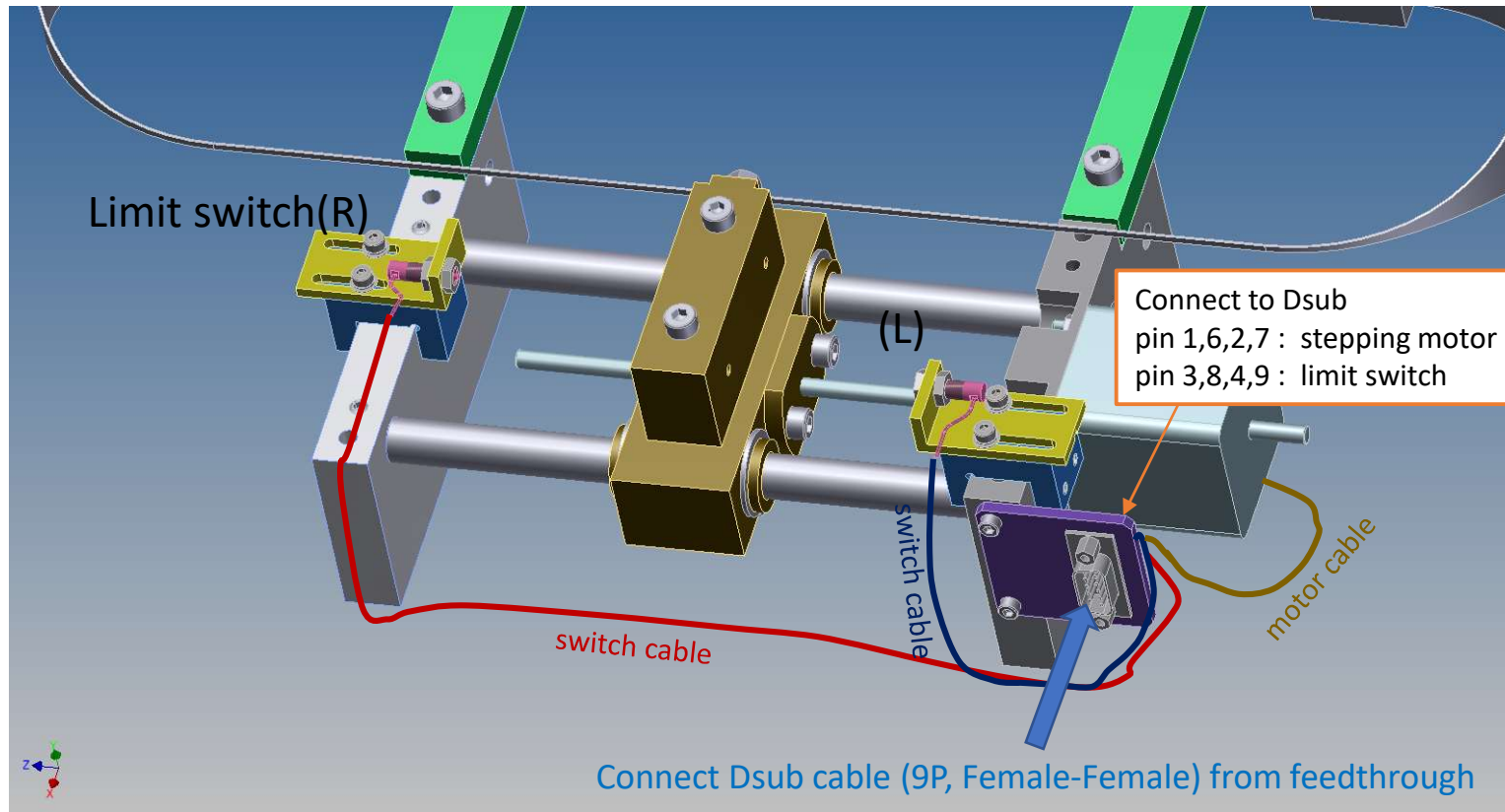
These are 3DCAD-confirmed values and may differ slightly from actual values.

Switch position adjustment



Each switch can be moved inward by 17mm and 20mm from the maximum extended position.

Wiring of limit switch

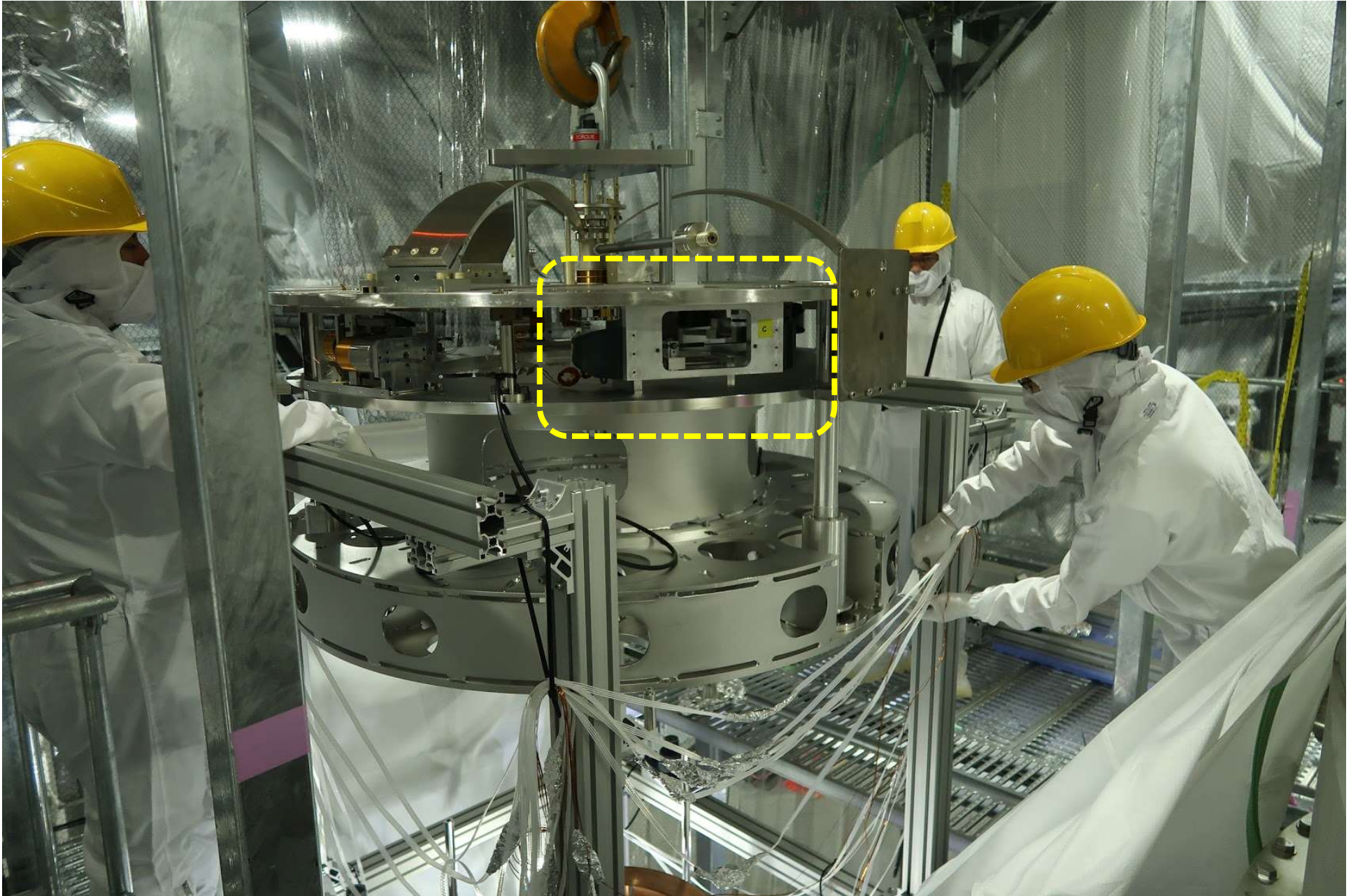


The limit switch has its own 0.5m wire. A 1.0mm pin is crimped on the end of that wire and inserted into the Dsub connector.

Summary

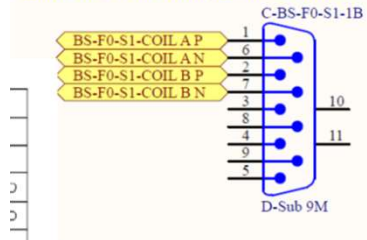
- Install and adjust under the following conditions.
 - The fishing rod blades are off.
 - The drive mechanism (slider and rail) remains attached to the IP.
- New parts
 - Limit switch unit (2 units)
 - Dsub connector support (replacement)
- The maximum range of motion of the slider is 113mm.
(reduced by 3mm from the current range)
- Limit switch position adjustment range is approximately 17mm.
- No need for new cables ([probably, under confirmation](#)).

ここまで



F0 Stepper Adapter
JGW-D1503901 Sheet 24

-v16: The horizontal stepper limit switches previously indicated were never implemented and have been removed.



PI to Flange Motor Cable
JGW-D1503901 Sheet 13

Type 2-2

