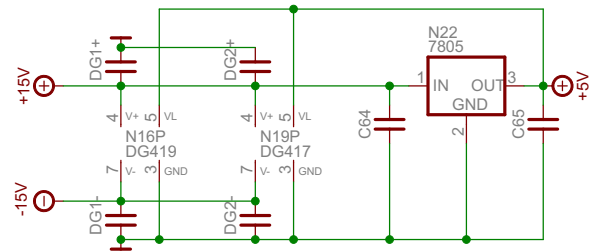
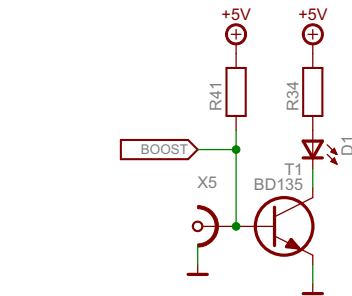
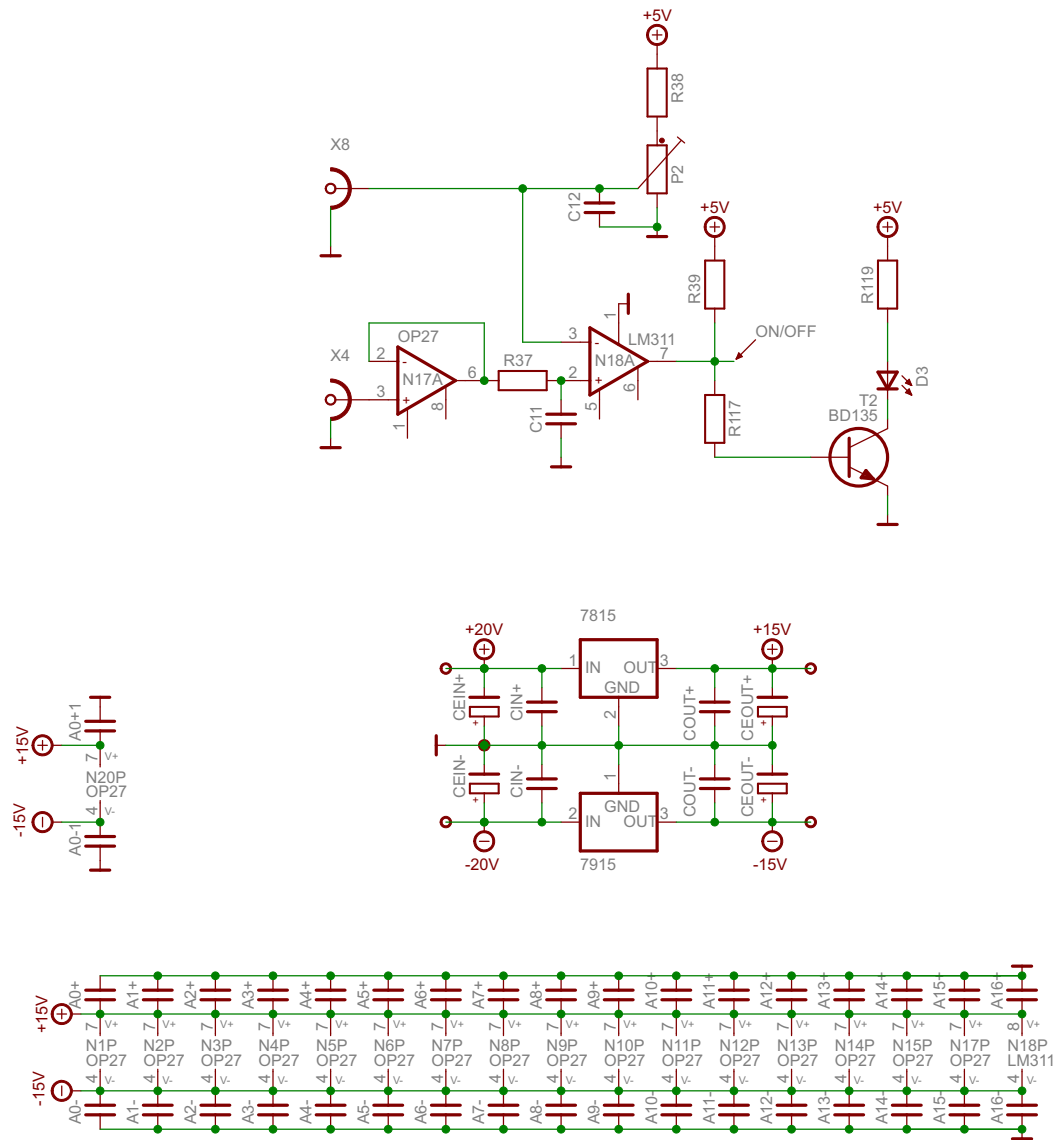


Created:	TAMA project, NAO Mitaka, Tokyo, Japan	
Date	Name	Description:
01/15/2004	Sa	Injection lock automation servo
Changed:		
Date	Name	
2010-01-05	Tatsumi	
File:	Injectionlock	Saved: not saved!
Sheet:	1/1	Printed: 2010/01/26 13:49:23



Created:		TAMA project, NAO Mitaka, Tokyo, Japan	
Date	Name	Description:	
Changed:			
Date	Name		
		File:	Injectionlock
		Sheet:	1/1
		Saved:	not saved!
		Printed:	2010/01/26 13:49:23